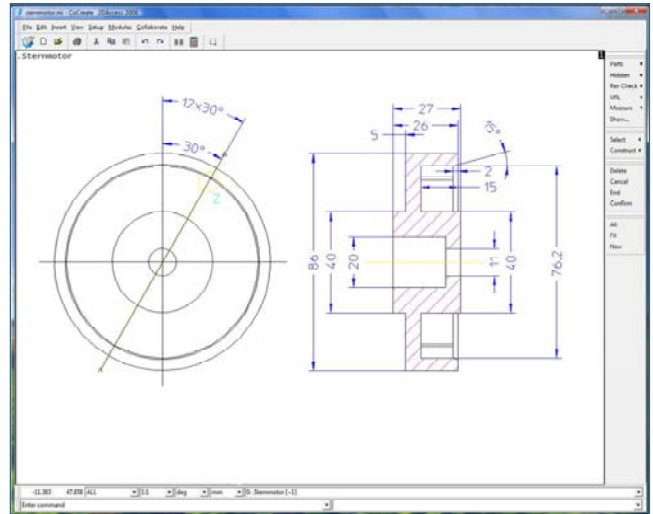


CoCreate® 2D Access

Easily share 2D CAD designs with anyone in your organization or supply chain

CoCreate 2D Access is a CAD viewer that enables companies to improve product review processes by extending visibility of 2D CAD design data across the entire organization and supply chain.

Provide access to any manufacturing, procurement and supply chain department that might benefit from immediate access to product design data with an easy-to-use CAD viewer. Add CoCreate 2D Access to CoCreate Model Manager or CoCreate Drawing Manager to ensure anyone in your organization can see up-to-date and released drawings- without requiring CAD expertise.



View and explore complete 2D CAD Drawings at any stage of the engineering process

Key Benefits

- Share high-quality 2D designs-Quickly view, inspect, and print high-quality 2D CAD design data created with CoCreate Modeling, CoCreate Drafting, and other 2D and 3D CAD systems
- Save CAD license costs-Make drawings accessible to anyone in the organization—even those without the authoring 2D CAD system or CAD expertise
- Improve collaboration-Provide departments outside of engineering with controlled and up-to-date access to released product design data using CoCreate 2D Access and CoCreate Model Manager or CoCreate Drawing Manager
- Support Multi-CAD operation-Work effectively in a multi-CAD development environment where you can share, view, and inspect 2D CAD design data created in other CAD systems

Features and Specifications

View and Measure 2D Drawings

- Read and inspect 2D drawings, without CAD expertise. Intuitive, easy-to-use graphical user interface is built so anyone can use it
- Load precise drawings in read-only mode from any 2D CAD system through standard interfaces for:
 - MI (version 3.3 and earlier)
 - DXF (version 2007 and earlier)
 - DWG (version 2007 and earlier)
 - IGES 2D (version 5.1 and earlier)
 - HPGL
 - HPGL II
 - TIFF
 - BMP
 - JPEG
 - PNG
- View part and assembly structures
- Rotate, pan, and zoom in real-time
- View additional engineering data on drawings, including annotation texts, tolerances, details, and dimensional compliance
- Switch the display of hatching, labels, text, dimensions on or off
- Turn hidden lines on or off in drawings created with CoCreate Drafting
- Use multiple languages in drawing annotations. Full Unicode support provides flexible global language capabilities - even Chinese and Japanese characters can co-exist on the same page

Precise Inspection

- Precisely measure drawings, including distance between points, radii, etc.
- Use content-sensitive catch capabilities for accurate measurement points

Plot Drawings

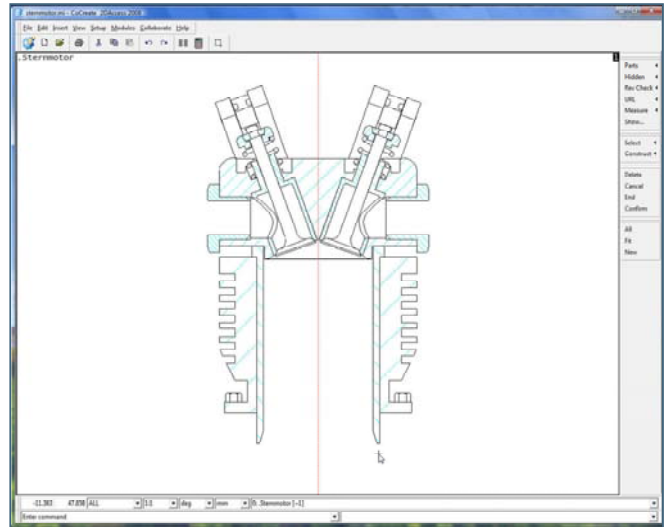
- Output to a plotter, printer, or supported file format such as:
 - HPGL
 - HPGL II (and RTL extensions)
 - PCL
 - PDF
 - Postscript
- Support of plot preview

Data Management

- Leverage CoCreate Drawing Manager to organize, track, and manage data

Customization

- Modify menu definitions:
 - through modified screen menu definitions
 - by renaming the screen menu slots
 - by using a tablet for menu fields



CoCreate 2D Access helps you gather feedback earlier in the design cycle by allowing you to share 'snapshots' across all teams

System Requirements

CoCreate 2D Access supported operating systems:

- Windows Vista™ 32-bit and 64-bit Editions of Ultimate, Enterprise, and Business
- Windows® XP™ Professional 32-bit and 64-bit Editions

For more information, visit www.ptc.com/products/cocreate