

# CoCreate® 3D Access

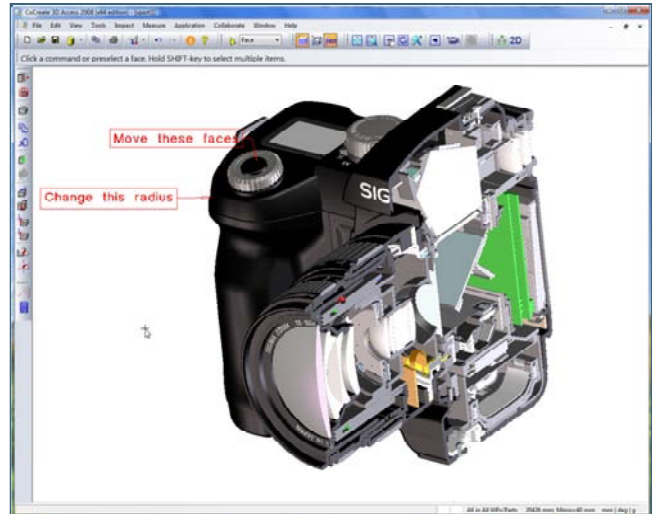
Share design data across the enterprise and supply chain

CoCreate 3D Access is a viewer for team members who don't need a full-blown CAD system. Use it for anyone who might benefit from reviewing CoCreate Modeling and CoCreate Drafting designs throughout your organization or supply chain.

CoCreate 3D Access combined with CoCreate Model Manager provides a secure environment where team members can easily find and review released models and drawings. Manufacturing, procurement and supply chain departments all benefit when they locate and access the most up-to-date product design data in CoCreate Model Manager and view it with CoCreate 3D Access.

## Share design data with other teams

CoCreate 3D Access offers rich 2D and 3D CAD visualization for companies and extended supply chains. Easily share both 2D and 3D design data with other team members in native, neutral or other 3D CAD system formats.



Use CoCreate 3D Access so your downstream teams can view and inspect 3D models and 2D drawings

## Key Benefits

- Share high-quality 2D & 3D designs - View, inspect, and print 2D and 3D CAD design data created with CoCreate Modeling, CoCreate Drafting, and other 2D and 3D CAD systems
- Save CAD license costs - Make models and drawings accessible to anyone in the organization with a cost-effective viewing application
- Explore changes risk free - Share product design data with the project team. They'll be free to explore and even try some changes to the design, without the risk of corrupting the original design data file
- Improve the review process - Provide departments outside of engineering with controlled and up-to-date access to released product design data using CoCreate 3D Access and CoCreate Model Manager
- Multi-CAD collaboration - Work effectively in a multi-CAD development environment where you can share, view, and inspect designs created in other 2D and 3D CAD systems

## Features and Specifications

### View 3D Designs and 2D Drawings

- Evaluate precise 3D solid models, lightweight graphic models, surface parts, wire frames, and 2D drawings
- View non-geometrical information including:
  - Manufacturing, inspection, analysis, and engineering notes
  - 2D and 3D dimensions and GD&T symbols
- View part and assembly structure
- Rotate, pan, zoom, and section in real-time
- See multiple languages on a single drawing. Even Chinese and Japanese can exist on the same page based on Unicode standard

### Inspect On-The-Fly

- Measure geometric information like:
  - Distance, radius, angle
  - Area, volume, inertia
- Inspect design properties like:
  - Blend radius, constant and variable
  - Chamfer, multiple formats
- Interactively define 3D sections and measure cross-sections precisely

### View Designs without Jeopardizing Others' Intellectual Property

- Work with simplified parts and avoid sensitive details
- View read-only attributes to ensure no accidental overwriting

### Integrate with CoCreate Model Manager

- Retrieve designs using CoCreate Model Manager for a sophisticated review approach to design processes

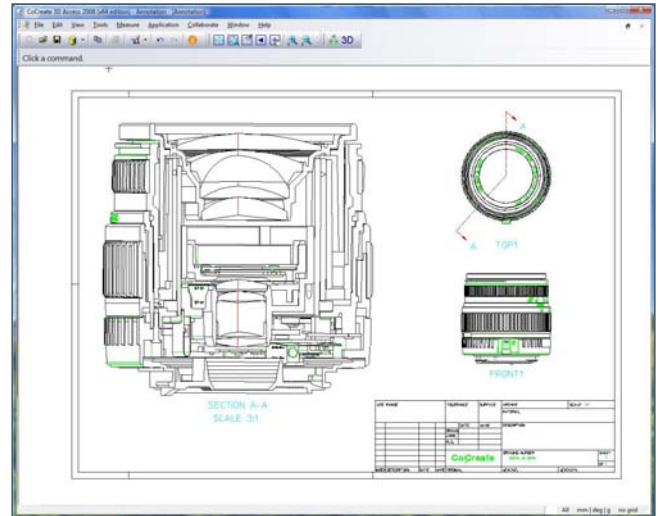
### View all Major 3D Standards and Native File Formats

Includes:

- STEP, SAT, and IGES 3D
- Native CoCreate Modeling package and bundle files
- DXF, DWG, and IGES 2D
- Native CoCreate Drafting .mi files
- eDrawings™

With optional interfaces, you can also add support for:

- Pro/ENGINEER®
- CATIA®
- Unigraphics®
- I-deas®
- SolidWorks®



Use CoCreate 3D Access to view and inspect 2D drawings

- Solid Edge®
- Autodesk® Inventor™
- eDrawings® Professional™
- XVL® (xv2 and xv3)
- 3D PDF

### Produce High-Quality Printouts

- Freely definable print resolution
- Background printing
- Fully integrated with Windows® printing

### Prerequisites

None

### System Requirements

CoCreate 3D Access 2008 supported operating systems:

- Windows Vista™ 32-bit and 64-bit Editions of Ultimate, Enterprise, and Business
- Windows® XP™ Professional 32-bit and 64-bit Editions

For more information, visit [www.ptc.com/products/cocreate](http://www.ptc.com/products/cocreate)

© 2008 Parametric Technology GmbH (a subsidiary of Parametric Technology Corporation). All Rights Reserved. Information described herein is furnished for informational use only, is subject to change without notice, and should not be construed as a guarantee, commitment, condition or offer by PTC. PTC, the PTC logotype, The Product Development Company, CoCreate and all PTC product names and logos are trademarks or registered trademarks of PTC and/or its subsidiaries in the United States and in other countries. All other product or company names are property of their respective owners.