

CoCreate® 3D Access

Share 2D and 3D CAD design data across the enterprise and supply chain

CoCreate 3D Access is a viewer for team members who don't need a full-blown CAD system. It's ideal for anyone who might benefit from reviewing CoCreate Modeling™ and CoCreate Drafting™ designs throughout your organization or supply chain.

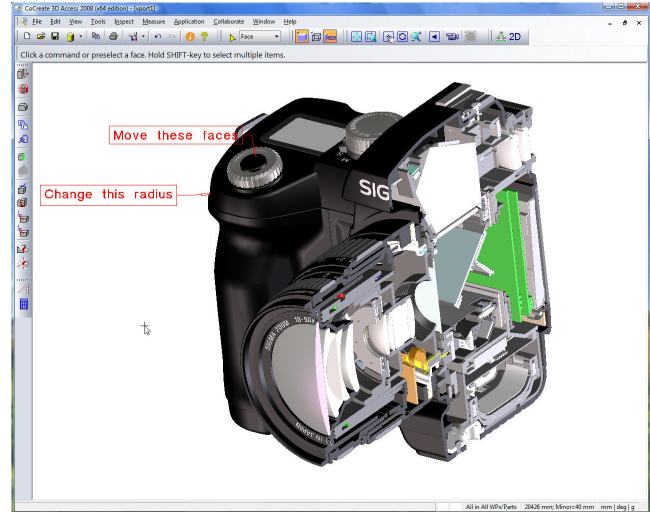
CoCreate 3D Access, combined with CoCreate Model Manager, provides a secure environment where team members can easily find and review released models and drawings. Manufacturing, procurement and supply chain departments all benefit when they can locate and access the most up-to-date product design data in CoCreate Model Manager™ and view it with CoCreate 3D Access.

Share Design Data with Other Teams

CoCreate 3D Access offers rich 2D and 3D CAD visualization for companies and extended supply chains. Easily share both 2D and 3D design data with other team members in native, neutral or other 3D CAD system formats.

Key Benefits

- Share high-quality 2D and 3D designs: View, inspect, and print 2D and 3D CAD design data created with CoCreate Modeling™, CoCreate Drafting, and other 2D and 3D CAD systems.
- Save CAD license costs: Make models and drawings accessible to anyone in the organization, with a cost-effective viewing application.
- Explore changes risk free: Share product design data with the project team. Users are free to explore--and even try some changes to the design, without the risk of corrupting the original design data file.
- Improve the review process: Provide departments outside of engineering with controlled and up-to-date access to released product design data using CoCreate 3D Access and CoCreate Model Manager.
- Multi-CAD collaboration: Work effectively in a multi-CAD development environment where you can share, view, and inspect designs created in other 2D and 3D CAD systems.



CoCreate 3D Access enables your downstream teams and external partners to view and inspect 3D models and 2D drawings.

Features and Specifications

View 3D Designs and 2D Drawings

- Evaluate precise 3D solid models, lightweight graphic models, surface parts, wireframes, and 2D drawings
- View non-geometrical information, including:
 - Manufacturing, inspection, analysis, and engineering notes
 - 2D and 3D dimensions and GD&T symbols
- View part and assembly structure
- Rotate, pan, zoom, and section in real time
- See multiple languages on a single drawing. Even Chinese and Japanese can exist on the same page based on Unicode standard

Inspect On-The-Fly

- Measure geometric information such as:
 - Distance, radius, angle
 - Area, volume, inertia
- Inspect design properties like:
 - Blend radius, constant and variable
 - Chamfer, multiple formats
- Interactively define 3D sections and measure cross-sections precisely

View Designs without Jeopardizing Others' Intellectual Property

- Work with simplified parts, and avoid sensitive details
- View read-only attributes to ensure no accidental overwriting

Integrate with CoCreate Model Manager

- Retrieve designs using CoCreate Model Manager for a sophisticated review approach to design processes

View all Major 3D Standards and Native File Formats

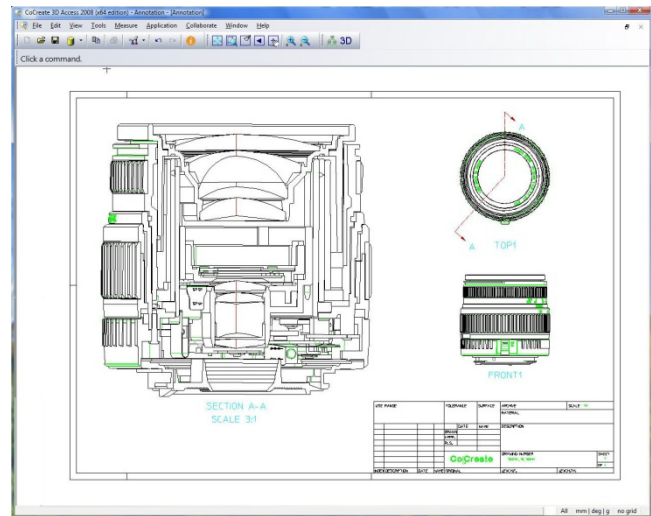
- STEP, SAT, and IGES 3D
- Native CoCreate Modeling package and bundle files
- DXF, DWG, and IGES 2D
- Native CoCreate Drafting .mi files
- eDrawings™

With optional interfaces, you can also add support for:

- Pro/ENGINEER®
- CATIA®
- Unigraphics®
- I-deas®
- SolidWorks®
- Solid Edge®
- Autodesk® Inventor
- eDrawings® Professional™
- XVL® (xv2 and xv3)
- 3D PDF

Produce High-Quality Printouts

- Freely definable print resolution
- Background printing
- Fully integrated with Windows® printing



Use CoCreate 3D Access to view and inspect 2D drawings.

Platform Requirements

CoCreate 3D Access supported operating systems:

- Windows® 7 32-bit and 64-bit Editions of Ultimate, Enterprise, and Professional
- Windows Vista® 32-bit and 64-bit Editions of Ultimate, Enterprise, and Business
- Windows XP Professional 32-bit and 64-bit Editions

For the most up-to-date platform support information visit:
www.ptc.com/partners/hardware/current/support.htm

For more information, visit www.ptc.com/products/cocreate