

The E³.series Viewer Family for Start Up, Production and Service

D A T A S H E E T

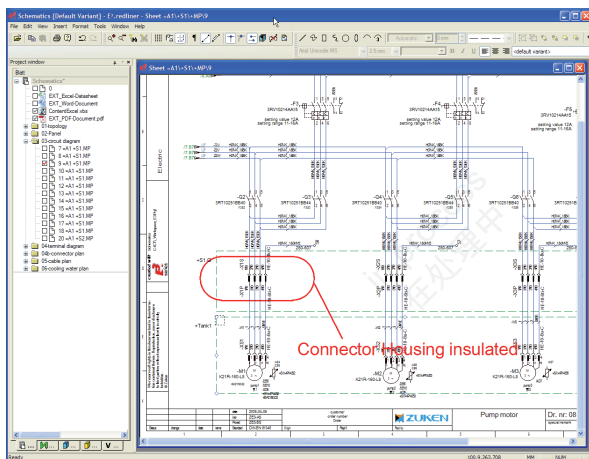
E³.view, E³.viewPlus, E³.redliner

Introduction

E³.view is the free-of-charge viewer for all E³.series single-user projects (.e3s) and special viewer files (.e3v). E³.view permits the distribution of original E³.series data throughout the entire organization, as well as to partners, customers and suppliers. The ability to quickly search for devices, signals, cables, functional units as well as navigate throughout the entire plan makes E³.series a very powerful tool.

E³.viewPlus is the intelligent viewer for use in production and integration in the service system. Additional functionality, like switching levels and languages as well as the ability to customize specific functions in the Add-ons menu, offers an integrated functional spectrum adapted to the special requirements.

E³.redliner is designed for use in the start up and construction phases. In addition to the E³.viewPlus functionality, graphical and textual modifications can be documented here. The information in the Redliner file is then used to update the original schematic. The individual modifications are only a mouse click away using a special search option.



E³.redliner supports graphical and textual

Standard Viewer Functionality

- Display original E³.series (.e3s) and E³.series viewer files (.e3v)
- Display the project structure
- Display the BOM
- Highlight devices, symbols, texts, attributes, cables and routing pathways
- Signal cross-references with “Jump to” function
- Display device, symbol and connection properties
- Display all embedded documents and OLE objects
- Track signals and highlight nets
- Display grid and rulers
- Print and plot using all Windows® drivers

The Plus in E³.viewPlus

- E³.viewPlus supports all E³.view functionality
- Switch languages in viewer files
- Control visibility of levels
- Embed your own functions in a toolbar

Special Functionality in E³.redliner

- E³.redliner supports all E³.viewPlus functionality
- Insert graphics and text
- Copy and insert subcircuits as graphics
- Save the Redliner information for transferring back to the original documentation

Additional E³.series Modules

E³.schematic

E³.schematic – the E³.series base module. Easy to use and operate. Complete functionality for the electrical design, inline terminals and connection plan.

E³.fluid

E³.fluid – the integrated design system for hydraulics, pneumatics, cooling and lubrication. Special functionality supports the development of fluidics also in connection with electrical design.

E³.cable

E³.cable offers enhanced functionality for designing cables and cable harnesses. Different views of the design enable specific documents to be created for production, start up and service.

E³.panel

E³.panel – the module for panel layout and wiring. Optionally design the panel in 2D or 3D, place all devices and automatically wire connection pathways as specified.

E³.formboard

E³.formboard – the module used to create 1:1 nailboard drawings for manufacturing cable harnesses. Quickly and easily place views, define the cable harness structure as well as specify the mounting and cable protection.